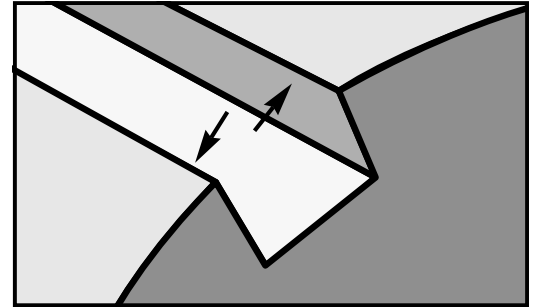


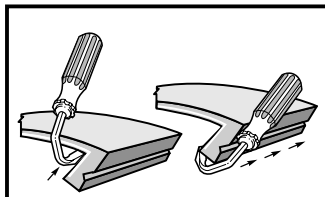
# dayCorr DIAMOND-LOC®

## INSTALLATION and REMOVAL INSTRUCTIONS

(for a right-handed operator)

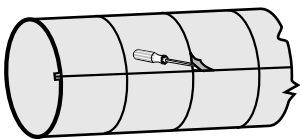


1. Clean all foreign material from the cylinder slot. Be sure all burrs are removed from slot edge as indicated.



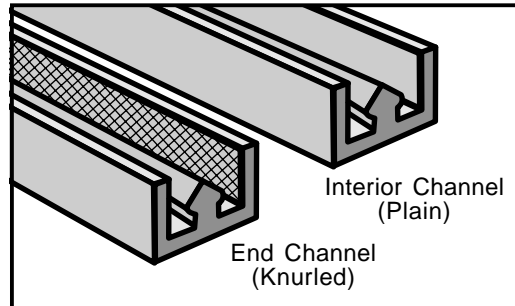
### Cut Mat Removal Start with an end mat.

Use the tool furnished to lift the corner of the upper end of the mat until it pops free of the channel. Then, lay the tool on its side under the lip of the mat and pull across the cylinder width like you're pulling a zipper. **Do not use like a can opener.**

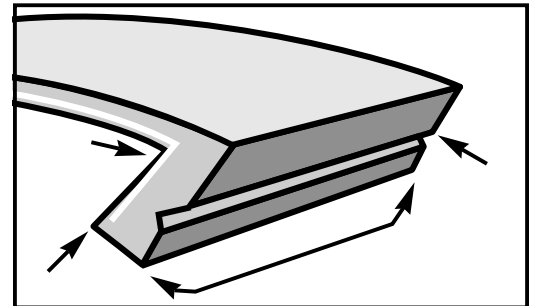


### Changing A Damaged Center Mat – Use a thin blade screwdriver to raise the side of the damaged mat at the corner until it is free of the channel\*. Insert the removal tool and pull across the mat as in normal removal.

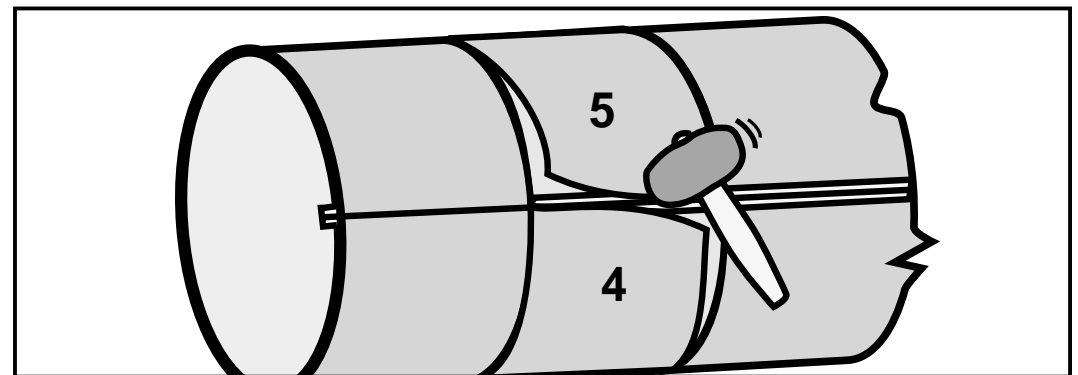
\* Often, at this point, the mat can be pulled out. If not, use the screwdriver as above to free the other end.



2. Install Diamond-Loc knurled channels at each end position on the cylinder. Mount plain channels in the remainder of the slot. Use the mounting screws provided.



3. For ease of installation, lubricate both lead and trail flanges of the mat locations indicated.



4. Using a dead blow mallet install the first half of the lead end into the channel leaving the right side of the lead end out of the channel.
5. Once the trail end is in position the right side of the trail end can be inserted into the empty channel with minimal force.
6. Continue along the trail edge from right to left and the lead end from left to right until both ends are seated into the channel.



IMAGE TRANSFER  
GROUP

Transfer Media Division

dayCorr™

130 West Second Street  
P.O. Box 338  
Dayton, Ohio 45401-0338  
800-877-8187